

Project: _____

Fixture Type: _____

Location: _____

Contact/Phone: _____

DESCRIPTION

REM-100LED is self-contained 6" emergency downlight that comes complete with recessed new construction housing, battery, and LED gimbal trim and compatible with drywall or drop ceiling mount installations. PAR36-type sealed beam gimbal trim with smooth chrome finish reflector offers optimal light distribution.

FEATURES

- Maintenance-free, rechargeable Sealed lead acid battery
- Bar hangers included
- Junction box with 3/4" knockouts for AC input
- 45-degree adjustable gimbal ring with integrated indicator light and test switch
- Solid-state and two-rate charger for battery charging to recharge a discharged battery in 24 hours
- 90 Min+ emergency operation

ELECTRICAL

- Input voltage: 120V or 277V 60Hz
- Lamps operated: 15W Sealed Beam PAR36 (included)
- Battery: 6V 4.5Ah sealed lead-calcium battery

WARRANTY

Guaranteed five years from the purchase date of the product, against mechanical defects in manufacturing.

LISTINGS

- cULus Listed
- Energy star qualified
- Damp locations
- RoHS compliances
- Tested in accordance with IESNA LM79 & LM80

PERFORMANCE DATA

| 4000 K | |
|---------------|----------------------------------|
| Input Voltage | 120V |
| Input Power | 3W |
| Frequency | 50 / 60Hz |
| T Ambient | -30 °C ~ 40 °C (-22 °F ~ 104 °F) |
| Lumens | 120 |
| CRI | ≥ 90 |

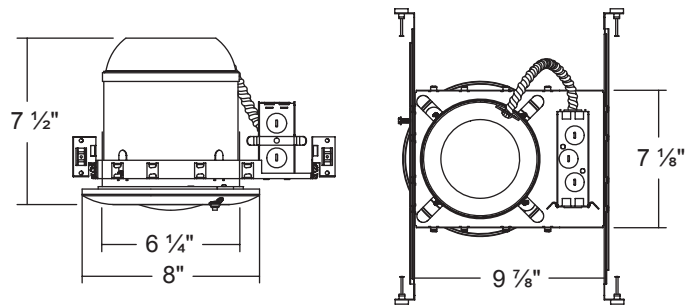
(all values at 25°C without a dimming control in circuit)

REM-100LED

6" IC AT Recessed LED Emergency Light



SPECIFICATIONS / DIMENSIONS



PRODUCT CODES

| Catalog Number | Description | COLOR TEMP | CRI |
|----------------|--|------------|---------------|
| REM-100LED-W | 6" LED Emergency Light / Gimbal Trim / White | -27 2700K | -xx80 CRI ≥80 |
| | | -30 3000K | -xx90 CRI ≥90 |
| REM-100LED-B | 6" LED Emergency Light / Gimbal Trim / Black | -40 4000K | |
| | | -50 5000K | |

