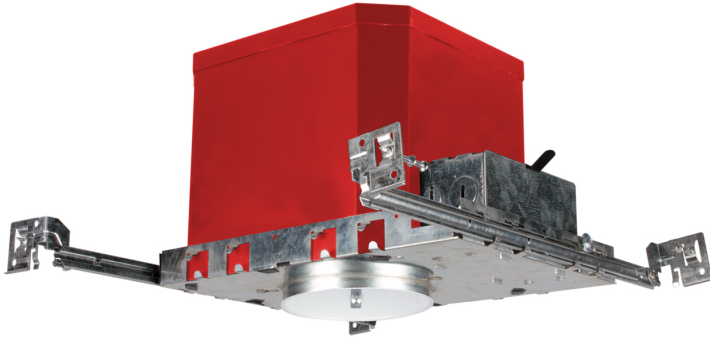
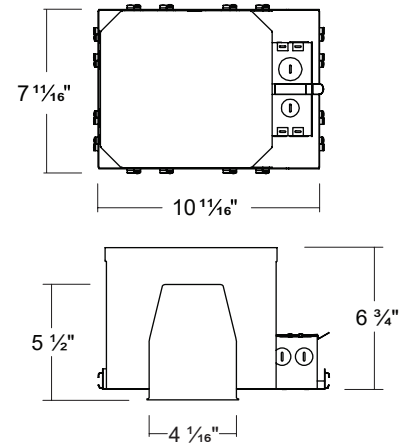


FH400ICA

4" Incandescent Line Voltage IC AT New Construction Housing 2 Hours Fire Rated



Dimensions

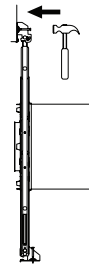


DESCRIPTION

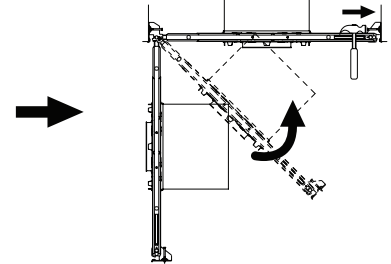
- 2 Hours Fire Rated UL Listed (UL 1598 / UL 263)
- Air Tight (ASTM Standard E283-04)
- Pre-installed 3port push in quick connector
- 13-5/8" to 25" Swivel Hanger Bar with pre-installed nails
- Housing adjusts from 1-1/2" to accommodate various ceiling thickness
- E26 medium screw base socket with socket plate
- Spacing of luminaires not to exceed one per 25 sq ft of ceiling area with min separation of 3 ft between luminaires
- **2hr Floor ceiling** - Luminaire provides up to 2 hours of protection in L500, L505, L511, L536, L538, L541, L556, L577, M500, M510, M521 and M543 Floor-Ceiling Designs
- **1hr Floor ceiling** - Luminaire provides up to 1 hour of protection in L500, L505, L511, L536, L538, L541, L556, L577, M500, M510, M521 and M543 Floor-Ceiling Designs
- **1hr Roof ceiling** - 1 hr fire rated P500-Series Roof-Ceiling designs

INSTALLATION BY SWIVEL BAR HANGER

Step 1.



Step 2.



FEATURES

Plaster Frame

- Galvanized steel plaster frame with integral bar hanger receivers
- The housing can be removed from plaster frame to provide access to the J-box

Housing

- Die formed galvanized steel housing with noncombustible fiber insulation

Junction Box

- Compact galvanized steel junction box with 24in3 internal volume
- One 1-1/8", one 1/2", three 7/8" knockouts and four Romex pryouts with strain relief
- Accepts 14-2, 14-3, 12-2, 12-3 U.S. and 14-2, 14-3, 12-2 Canadian NM cable
- Three 3-port push wire nuts with clear caps for quick and reliable mains voltage connections

Thermal Protector

- Self resetting thermal protector deactivates fixture if overheating occurs due to improper lamping or misapplied insulation.

Bar Hanger

- Swivel-headed bar hangers with pre-installed nail support housing at any point along span
- Captive nail penetrates standard and engineered lumber
- Adjusts from 13-5/8" to 25" wide
- Can be repositioned along short side or long side of plaster frame

STC & IIC

- Sound transmission class (STC) and Impact Insulation class (IIC) tested by a certified acoustical testing lab. STC and IIC comply redommendations for reducing noise including spoken word and others in multifamily and mixed-use structures

Listings

- cULus Listed for Damp Location
- cULus Listed for Wet Location (with specified trims)
- cULus Listed for Feed Through
- Certified under ASTM-E283 for Air tight construction

COMPATIBLE TRIMS_Wet, Damp Location

T418 Frosted Shower



- **Incandescent**
PAR20, A15 50W, 25W
- **LED**
SBLED 20W

T409 Fresnel Shower



- **Incandescent**
PAR20, A15 50W, 25W
- **LED**
SBLED 20W

T408L Deep Albalite Shower



- **Incandescent**
PAR20 50W
- **LED**
SBLED 20W

T410 Drop Opal



- **Incandescent**
PAR20, A15 50W, 25W
- **LED**
SBLED 20W

COMPATIBLE TRIMS_Damp Location

T400 Smooth



- **Incandescent**
PAR20, JDR16 50W
- **LED**
SBLED 20W

T401 Deep Smooth



- **Incandescent**
PAR20, JDR16 50W
- **LED**
SBLED 20W

T403 Stepped Baffle



- **Incandescent**
PAR20, JDR16 50W
- **LED**
SBLED 20W

T407 Slot Aperture



- **Incandescent**
PAR20, JDR16 50W
- **LED**
SBLED 20W

T411 Surface Gimbal



- **Incandescent**
PAR20, JDR-16 50W
- **LED**
SBLED 20W

T404 Wall Wash



- **Incandescent**
Par20 30W
- **LED**
SBLED 20W

T405 Eyeball



- **Incandescent**
Par20 50W
- **LED**
SBLED 20W

T413 AT Cone Stepped Baffle



- **Incandescent**
PAR20 50W
- **LED**
SBLED 20W

T408 Albalite Shower



- **Incandescent**
PAR20, A15 50W, 25W
- **LED**
SBLED 20W

T409 Fresnel Shower



- **Incandescent**
PAR20, A15 50W, 25W
- **LED**
SBLED 20W

T445 Square Gimbal



- **Incandescent**
PAR20 50W
- **LED**
SBLED 20W

T411(GR) Gimbal



- **Incandescent**
JDR-16 50W
- **LED**
SBLED 20W