

Project:

Fixture Type:

Location:

Contact/Phone:

This product is UL fire rated and can be protected for 2 hours with a double wall fixture incorporates a non-combustible fiber insulation to prevent flames, toxic gases, and ignition gases from passing through. Suitable for Condominiums, Apartment Buildings, Multi-Family, Commercial and Residential applications. Luminaire provides up to 2 hours of protection in L500, L505, L511, L536, L538, L541, L556, L577, M500, M510, M521 and M543 Floor-Ceiling Designs.

DESCRIPTION

- 2 Hours Fire Rated UL Listed (UL 1598 / UL 263)
- Air Tight (ASTM Standard E283-04)
- Pre-installed 3port push in quick connector
- 13-5/8" to 25" Swivel Hanger Bar with pre-installed nails
- Housing adjusts from 1-1/2" to accommodate various ceiling thickness
- E26 medium screw base socket with socket plate
- Spacing of luminaires not to exceed one per 25 sq ft of ceiling area with min separation of 3 ft between luminaires.

FEATURES

PLASTER FRAME

- Galvanized steel plaster frame with integral bar hanger receivers.
- The housing can be removed from plaster frame to provide access to the J-box.

HOUSING

- Die formed galvanized steel housing with noncombustible fiber insulation.
- Housing provides up to 2 hours of protection in L500, L505, L511, L536, L538, L541, L556, L577, M500, M510, M521 and M543 Floor-Ceiling construction.

JUNCTION BOX

- Compact galvanized steel junction box with 24in3 internal volume.
- One 1-1/8", one 1/2", three 7/8" knockouts and four Romex pryouts with strain relief.
- Accepts 14-2, 14-3, 12-2, 12-3 U.S. and 14-2, 14-3, 12-2 Canadian NM cable.
- Three 3-port push wire nuts with clear caps for quick and reliable mains voltage connections.

BAR HANGER

- Swivel-headed bar hangers with pre-installed nail support housing at any point along span.
- Captive nail penetrates standard and engineered lumber.
- Adjusts from 13-5/8" to 25" wide.
- Can be repositioned along short side or long side of plaster frame.

THERMAL PROTECTOR

- Self resetting thermal protector deactivates fixture if overheating occurs due to improper lamping or misapplied insulation.

STC & IIC

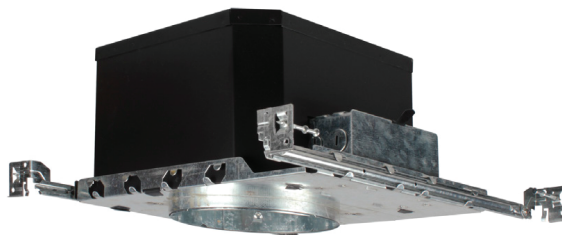
- Sound transmission class (STC) and Impact Insulation class (IIC) tested by a certified acoustical testing lab. STC and IIC comply redommendations for reducing noise including spoken word and others in multifamily and mixed-use structures.

LISTINGS

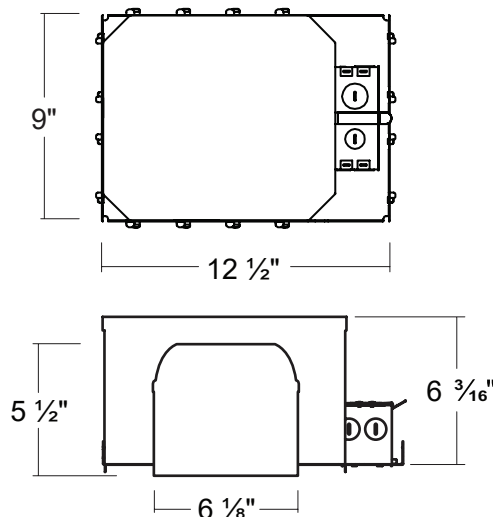
- cULus Listed for Damp Location
- cULus Listed for Wet Location (with specified trims)
- cULus Listed for Feed Through
- Certified under ASTM-E283 for Air tight construction

FH600SICA

6" Incandescent Line Voltage IC AT Shallow New Construction Housing
2 Hours Fire Rated

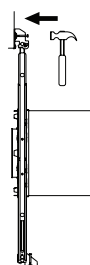


DIMENSIONS

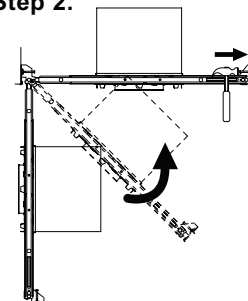


INSTALLATION BY SWIVEL BAR HANGER

Step 1.



Step 2.



TRIMS

• Wet, Damp Location

T621M(P)



- **Incandescent**
A19 25W
- **LED**
SBLED 20W

T661M(P)



- **Incandescent**
A19 25W
- **LED**
SBLED 20W

T631M(P)



- **Incandescent**
A19 25W
- **LED**
SBLED 20W

• Damp Location

T684



- **Incandescent**
BR30, PAR30 75W
- **LED**
SBLED 20W

T605



- **Incandescent**
BR30, PAR30 75W
- **LED**
SBLED 20W

T603



- **Incandescent**
BR30, PAR30 65W
- **LED**
SBLED 20W

T630



- **Incandescent**
BR30, PAR30 65W
- **LED**
SBLED 20W

T623



- **Incandescent**
PAR30 65W
- **LED**
SBLED 20W