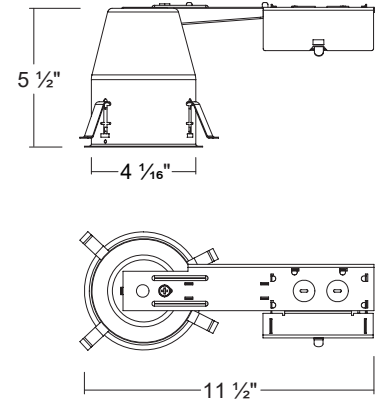


## H400GUR

4" Non-IC Air-Tight Incandescent Remodel Housing (120V MR16, LED)



### Dimensions



## ORDERING INFORMATION

Model No.	Description
H400GUR	4" Non-IC Air-Tight Incandescent Remodel Housing (120V MR16, LED)

## SPECIFICATION

### Junction Box

- Listed for through branch circuit wiring
- Contains one 1-1/8", six 7/8" knockouts and four Romex pryouts with strain relief

### Remodel Clips

- Four Remodel clips secure housing and accommodates 1/2" and 5/8" ceiling materials.

### Thermal Protector

- Self resetting thermal protector deactivates fixture if overheating occurs due to improper lamping or misapplied insulation.

### Lamps

- 120V GU10 MR16 Max. 50W, GU10 LED

### Listings

- cULus Listed for Damp Location
- cULus Listed for Feed Through